

MFL1812 Series

Features :

- Large Current and Low DCR , Current rate up to 3.5 Amp
- High Q value
- Inductance values from 22nH to 520nH

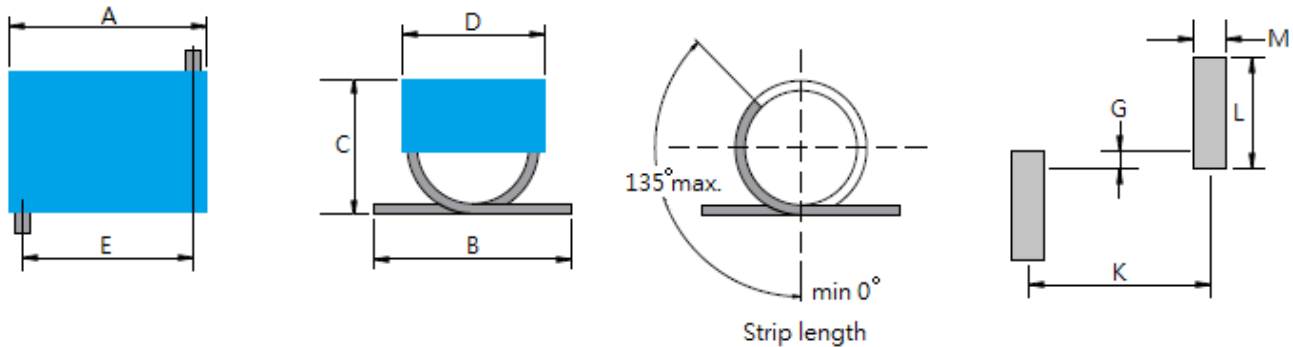
Applications :

- Notebook DC/DC Converter, Handheld device
- EMI / EMC Suppressor , TV , Monitor , Electronics products etc.
- Computer Devices , Communication equipment.
- Mobile Charger, etc.



Shapes And Dimensions : (Unit :mm)

Type	A	B	C	D	E	G	M	K	L
MFL1812	4.96max.	6.4max	4.2max	3.81max	4.32±0.4	2.62	1.50	4.32	5.18



Standard electrical specifications :

Prat Number	Inductance (nH)	Test Frequency	Q Value (min.)	SRF (min.)	DCR (max.)	Irms (A)
MFL1812-22NK	22±10%	150MHZ	100	3.00MHz	4.50mΩ	2.8
MFL1812-27NK	27±10%	150MHZ	100	2.50MHz	4.30mΩ	3.3
MFL1812-33NK	33±10%	150MHZ	100	2.30MHz	5.20mΩ	2.8
MFL1812-39NJ	39±5%	150MHZ	100	2.00MHz	4.60mΩ	2.8
MFL1812-47NJ	47±5%	150MHZ	100	2.00MHz	5.90mΩ	2.8
MFL1812-56NJ	56±5%	150MHZ	100	1.30MHz	6.50mΩ	2.8
MFL1812-68NJ	68±5%	150MHZ	100	1.30MHz	8.50mΩ	2.3
MFL1812-82NJ	82±5%	150MHZ	100	1.10MHz	9.70mΩ	2.3
MFL1812-R10J	100±5%	150MHZ	100	1.00MHz	12.5mΩ	1.5
MFL1812-R12J	120±5%	150MHZ	100	0.90MHz	17.5mΩ	1.4
MFL1812-R15J	150±5%	150MHZ	100	0.72MHz	3.50mΩ	1.0

Ambient temperature :

- Storage temperature: -25°C to +85°C
- Operating ambient temperature: -20°C to +80°C
- (Range is application specific).
- Solder reflow temperature: 260°C max. for 10 seconds max.

Technical Data : @25°C

- Q measured at 400MHz using an Agilent/HP 4291A impedance analyzer
- SRF measured using an Agilent/ HP 8753D network analyzer
- Measurement ambient temperature of L , DCR and IDC : at 25°C

